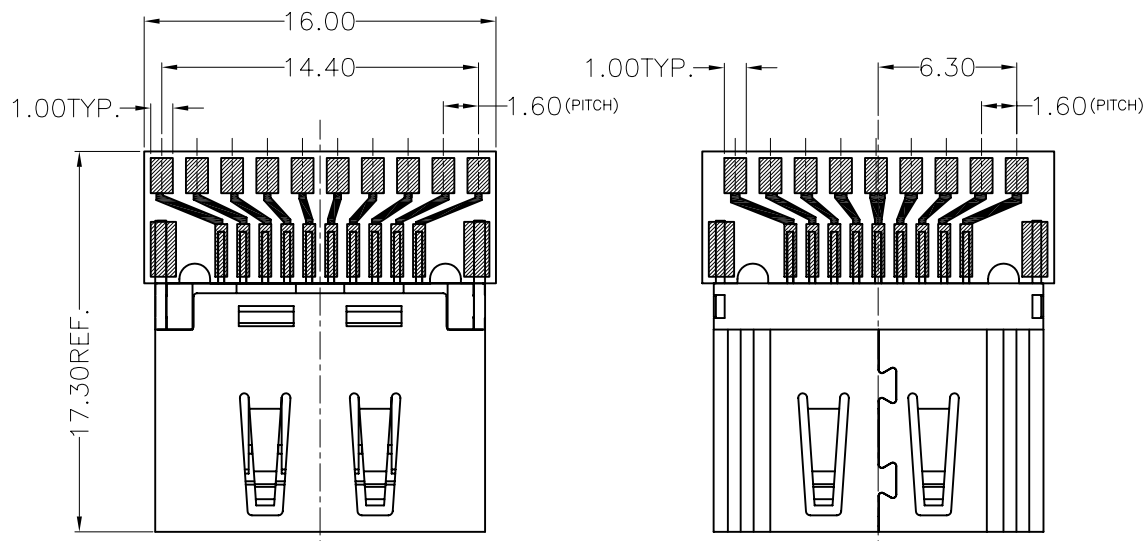


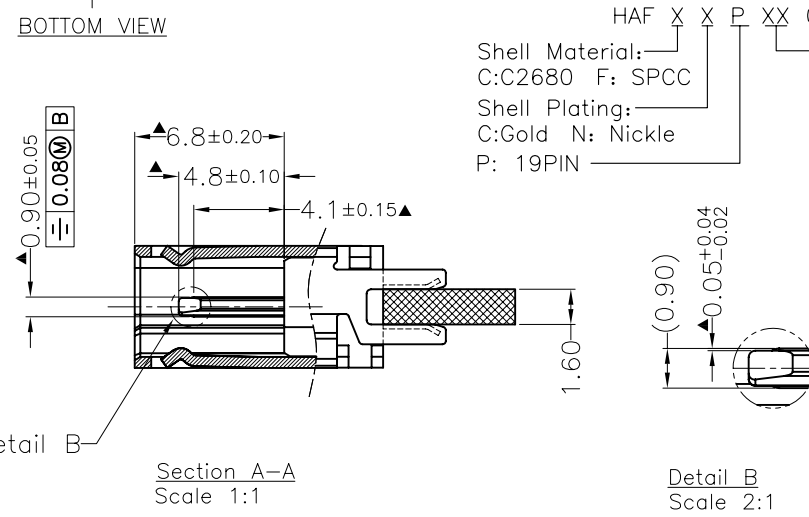
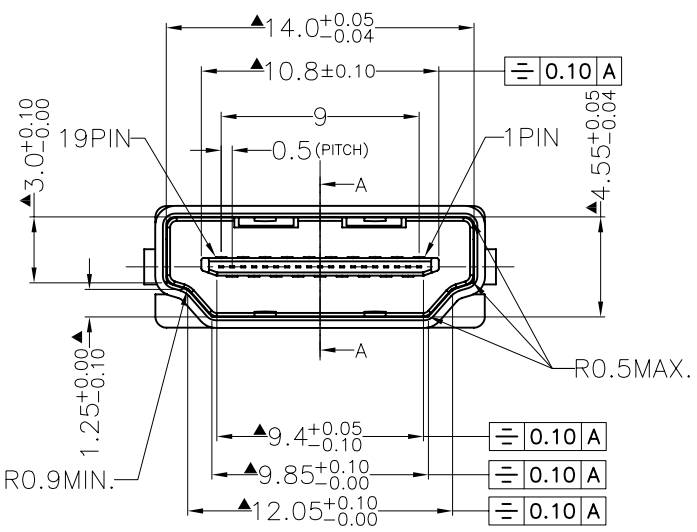
版次 REV.	变更编号 ECN.NO.	编号位置 LOCATIONS	变更内容 MODIFY.CONTENT	负责人 DESIGN	变更日期 DATE



Specifications:

- 1.Insertion force:44.1N MAX.
- 2.Withdrawal force:9.8~39.2N.
- 3.Durability:10000 Cycles.
- 4.Current rating:0.5A
- 5.Voltage rating:40V AC MAX.
- 6.Dielectric strength:
500V AC MIN.(UNMATED)
300V AC MIN.(MATED)
- 7.Contact resistance:30mΩ MAX.
- 8.Insulation resistance:
100MΩ DC MIN(UNMATED)
10MΩ DC MIN(MATED)
- 9.Temperature: -40℃ TO +85℃
- 10.All the material must accord with the RoHS.
- 11.The important dimensions with "▲"

Part Number:



HAF X X P XX 02

Shell Material:
C:C2680 F: SPCC

Shell Plating:
C:Gold N: Nickle
P: 19PIN

Terminal Plating:
01: Au 1u"
03: Au 3u"
05: Au 05u"
10: Au 10u"
15: Au 15u"
30: Au 30u"

					TOLERANCE UNSPECIFIED		图号 DWG.NO.	A01-0016	绘图 DRAWN	JAYPENG	比例 SCALE	3:1
04	PCB	FR-4	1	Thickness is 1.6mm	X.±0.30	X.*±4*	品名 PART.NAME	HDMI 19PF 线端A款-3 外壳0.5mm 带板 (1.6mm)	审核 CHECKED		单位 UNITS	mm
03	Terminal	C5191	19	Gold plated within connect area ,Tin plated within solder area	.X±0.20	.X*±3*		料号 PART.NO.	HAFXXPXX02	核准 APPROVED		
02	Housing	LCP	1	LCP+30%GF UL94-V0, Color is black	.XX±0.15	.XX*±2*	版次 REV.		日期 DATE	2012/7/30		
01	Shell	SPCC/C2680	1	Plating nickle or gold overall	.XXX±0.05	.XXX*±1*	页次 SHEET	1/2	尺寸 SIZE	A4		
序号 NO.	品名 PART NAME.	材料 MATERIAL	用量 QTY	备注说明 NOTE								